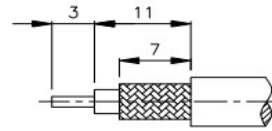
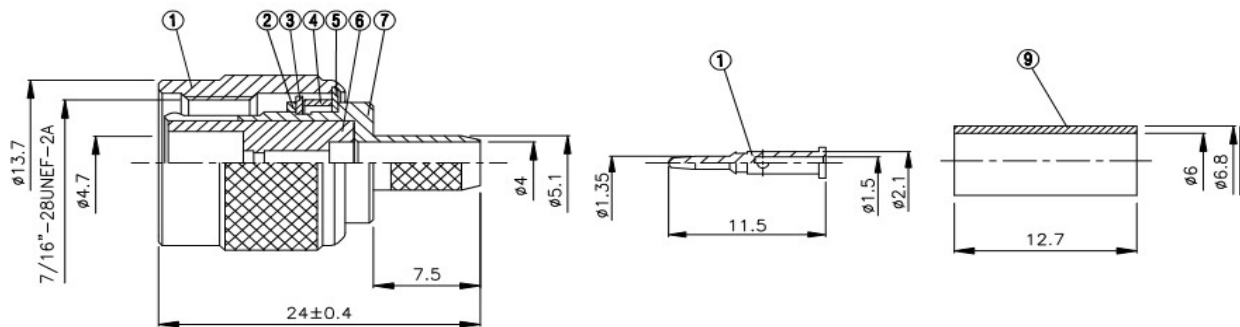


T-510 TNC Stecker crimp / Super-Low-Loss



(Recommended Stripping Dimension)



NO	DESCRIPTION	MATERIAL	Q' TY	FINISH
1	BODY 1	BRASS	1	NICKEL
2	RUBBER	SI RUBBER	1	RUBBER
3	WASHER 1	BRASS	1	NICKEL
4	WASHER 2	BRASS	1	NICKEL
5	WASHER 3	BRASS	1	NICKEL
6	INSULATION	TEFLON	1	TEFLON
7	BODY 2	BRASS	1	NICKEL
8	PIN	BRASS	1	GOLD
9	RING	BRASS	1	NICKEL